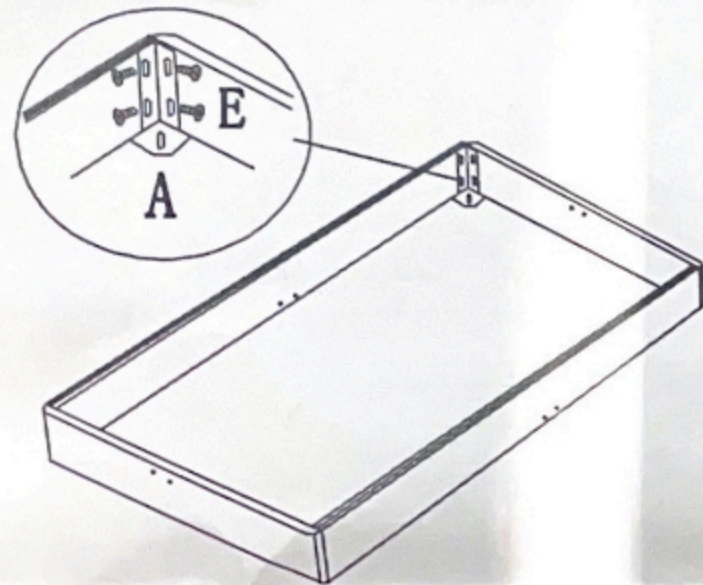
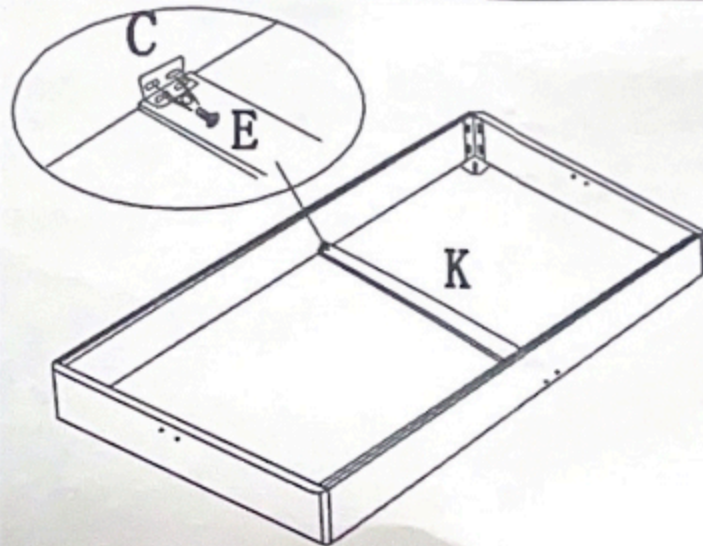


Knocked-down Base Installation (For size: 140x200cm / 160x200cm / 180x200cm)



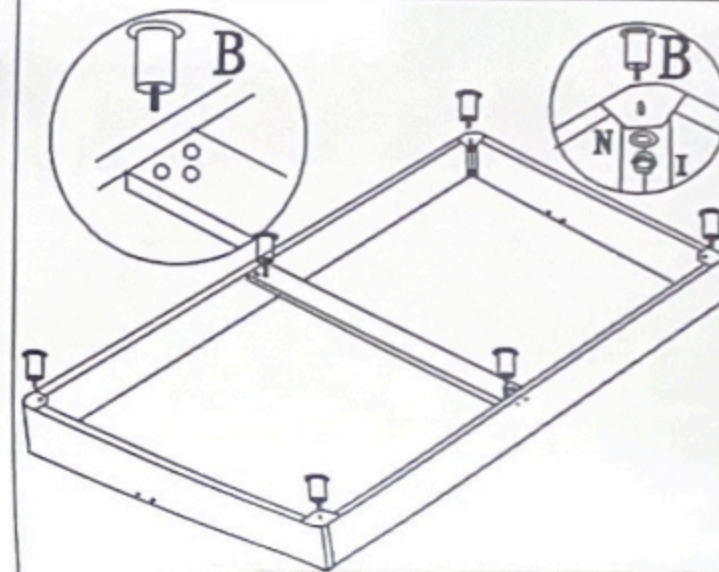
1. Connect the Head and End to the 2 sides using the big leg bracket (A) by using bolts (E) as illustrated above.

Step 1



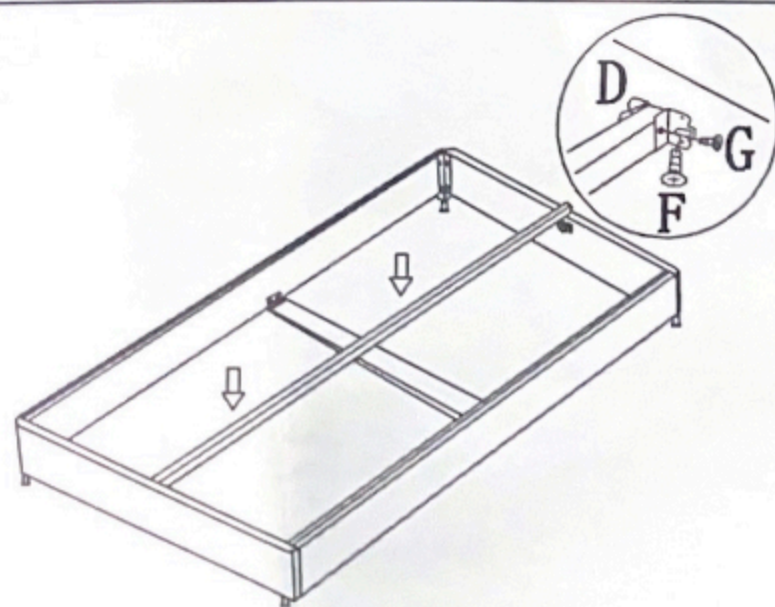
2. Connect the bed frame as illustrated (Connect bracket "C" by using bolt "E").

Step 2



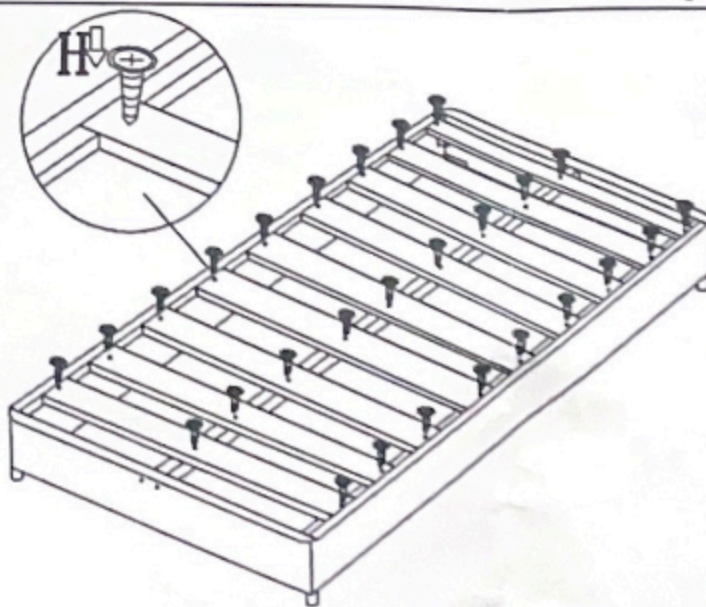
3. Turn the bed over attach the legs use washer (N) and nuts (I) to lock 4 corner legs.

Step 3



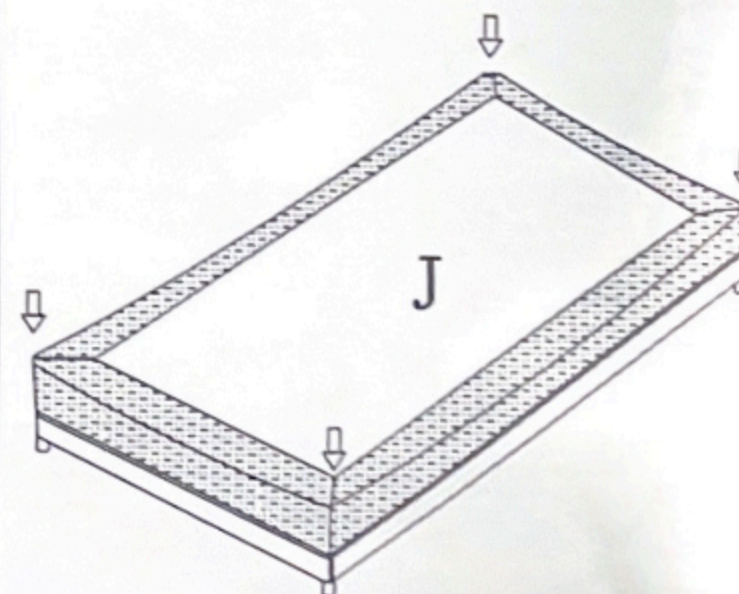
4. Turn the bed over and attach the central bracket (D) by using bolt (F) then attach the central central timber piece. And then lock the central timber piece to the central bracket (D) by using screw (G).

Step 4



5. Attach all the slats to the base, please make sure the plastic belt face down. Then use long screw nail (H) fasten the slats as illustrated.

Step 5



6. Put the base cover on and attach to the base by Velcro.

Step 6

A



4pcs

B



6pcs

C



2pcs

D



2pcs

E



24pcs

F



4pcs

G



2 pcs

H



27pcs

I



4pcs

J



1pcs

K



1pcs

N



4pcs